

LED Bulb

TQP06-008

Traic dimmable



Features

- ➔ Fully Dimmable (0-100%)
- ➔ Ultra energy efficient, replaces up to 50-60W incandescent/ Halogen lamps;
- ➔ Good heat dissipation with professional designed aluminum alloy housing;
- ➔ Anti-glare, giving visual comfort;
- ➔ Isolating circuit design, safety and reliability;
- ➔ Solid-state, no start-up delay.
- ➔ No mercury, less CO² emission, eco-friendly to the environment;
- ➔ No UV, No IR;
- ➔ Better thermal management, no heat damage;
- ➔ Easily installed into standard fixture;
- ➔ Longevity of service and minimal maintenance;
- ➔ Standard warranty: 3 years;
- ➔ Life span: 40,000 hours;
- ➔ Base: E27/B22
- ➔ Color temperature: White: 5730-6800K, Warm White: 2870-3500K
- ➔ Safety: RoHS;
- ➔ Working Voltage:
Low Voltage:AC110V, 60Hz; High Voltage:AC220, 50Hz

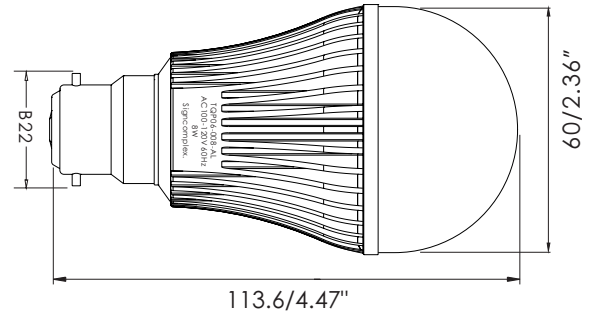
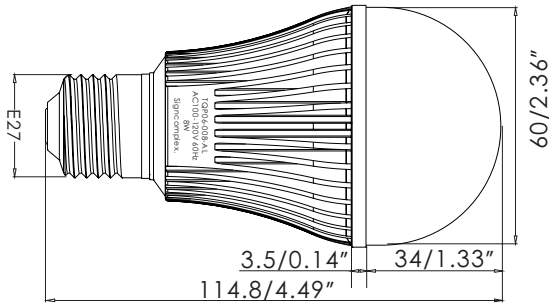


Applications

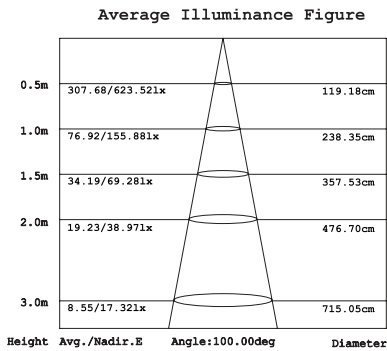
- Illumination lighting for homes, offices, restaurants, hotels, malls, buses, trains, warehouses, parking lots etc.
- Task lighting for cabinets, cupboards etc in your homes, restaurants, and kitchens or any other places where accent lighting is required.
- Display lighting for the articles in your stores and shops.
- Back lighting for square billboards or advertisement boards.



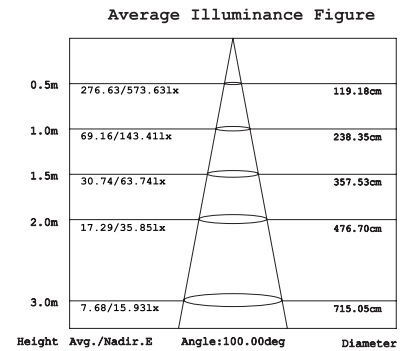
Dimensions



Specifications



White



Warm White

Model Number	Color	LED Q'ty	LED Type	CCT	Power Consumption (W)	CRI	Lumen (lm)	Voltage (V)	Beam Angle (degrees)	Weight (kg)
TQP06-008-AL-W	White	16	3535 SMD	5000-7000K	8	72	726	110V AC 60Hz	140°	0.158
TQP06-008-AL-WW	Warm White			2700-3500K		76	652			
TQP06-008-AL-NW	Natural White			4000-5000K		73	689			
TQP06-008-AH-W	White	16		5000-7000K	8	77	669	220V AC 50Hz	140°	
TQP06-008-AH-WW	Warm White			2700-3500K		76	636			
TQP06-008-AH-NW	Natural White			4000-5000K		73	635			

Absolute Maximum Rating

Parameter	Rating	Units
Aluminum Heat sink Temperature	80	C
Operating Temperature	-20~+40	C
Storage Temperature	-40~+80	C
Equilibrium Temperature	62.8	C

Signcomplex Limited Warranty

Signcomplex warrants this product ("Product") against defects in material or workmanship for a period of three years from the date of purchase. If this Product is determined to be defective, Signcomplex will repair or replace the Product, at its option. This warranty does not cover cosmetic damage or damage due to acts of God, accident, misuse, abuse, negligence, commercial use, or modification of, or to any part of the Product. This warranty does not cover damage due to improper operation or maintenance, connection to improper voltage supply, or attempted repair by anyone than a facility authorized by Signcomplex to service the Product.

Repair or replacement as provided under this warranty is the exclusive remedy of the customer. Signcomplex shall not be liable for any incidental or consequential damages for breach of any express or implied warranty on this Product except to the extent prohibited by applicable law, any implied warranty of merchantability or fitness for a particular purpose on this Product is limited in duration to the duration of this limited warranty.

Some states do not allow the exclusion or limitation of incidental or consequential damages, or allow limitations on how long an implied warranty lasts, so the above limitations or exclusions may not apply to you. This warranty gives you specific legal rights, and you may have other rights which vary from state to state.

Only Signcomplex may change, amend or modify the terms of this Limited Warranty and any such change, amendment or modification shall be in writing and is signed by Signcomplex. To obtain warranty service and shipping information call +86 755 2760 8650 or e-mail info@signcomplex.com. You must provide proof of purchase in the form of a bill of sale or receipted invoice which is evidence that the Product is within the warranty period to obtain warranty service. Consumers have legal rights under applicable national legislation governing the sale of consumer goods. Such rights are not affected by the warranties provision outlined in this document.

